



Features

Size

60/90/120 cm

Version

Aspirante/Filtrante (opzionale)

Suction/Filtering (optional)

Controls

Touch control 3+1

Lighting

Faretto led dimmerabile

Dimmable led lamps

2x2,2W

Performance

Airflow

680 m³/h

Pressure

580 Pa

Noise level

43 Min / 64 max lw[dba]

Motor power

265 W

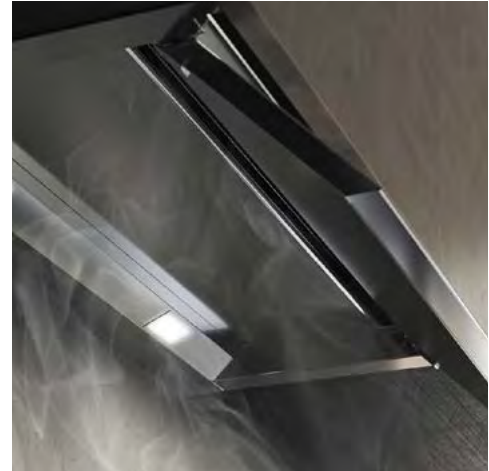
Duct Size

Ø 150 mm

Energy Class

A

Induction System PLUS



Accessories

Kit filtrante ceramico integrato nel pensile

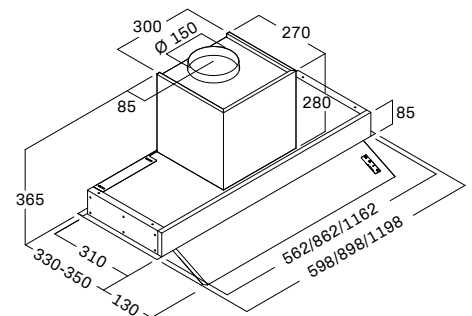
Built-in ceramic filtering kit

K06314KITF



Acciaio inox satinato

Stainless steel satin



Model

POLLUCE 60

POLLUCE 90

POLLUCE 120